

about NOVATEC

NOVATEC S.A. is a company with more than 20 years of consequence presence in the fruits & vegetables sector and provides robust, adaptable and effective post-harvest solutions for fresh fruits and vegetables, which will serve the needs of our clients in the best possible way. The technically advanced solutions we develop are engineered and manufactured based on the specific needs of each client.

Our After-Sales Service is structured so that we can secure effectiveness and short response times. A high qualified team of technicians is always available to our customers to offer assistance and guidance, so that your investment is secure.

Our clients choose to work with us because of the proven technical integrity of our equipment, which is backed up by the deep understanding of the elementary and advanced engineering applied on each solution and the ongoing consistent service.

To make this procedure effective we lie on the professionalism and the team work of our long-serving employees, who have developed along with the company, and our greatly motivated senior employees.

Our team is always available to develop a "fresh project" for you.

Fresh Engineering Fresh Products



NOVATEC
engineering

SORTING, GRADING AND PACKING LINES FOR FRUITS AND VEGETABLES



NOVATEC S.A.
Industrial Zone of Patras
P.C. 250 18 Patras, Greece
t.: +30 2610 647580-2
f.: +30 2610 647583

e-mail: info@novatec.gr
www.novatec.gr



CERTIFICATE
OF QUALITY
MANAGEMENT
ISO 9001:2015



SORTING, GRADING AND PACKING LINES FOR FRUITS AND VEGETABLES

NOVATEC
engineering



Carrots and Potatoes Polisher U 300 - 8



NOVA_ROV 200 Box Tipper



Lift Roller Grader LR 2/150



Weighing - Net Clipping Unit 1 -5 kgr



Vegetables Hydrocooler H 5



Feeding Hopper



Sorting Line for Potatoes and Onions



Twin Head Big - Bag Swing Filler FB 200



Roller Inspection Table



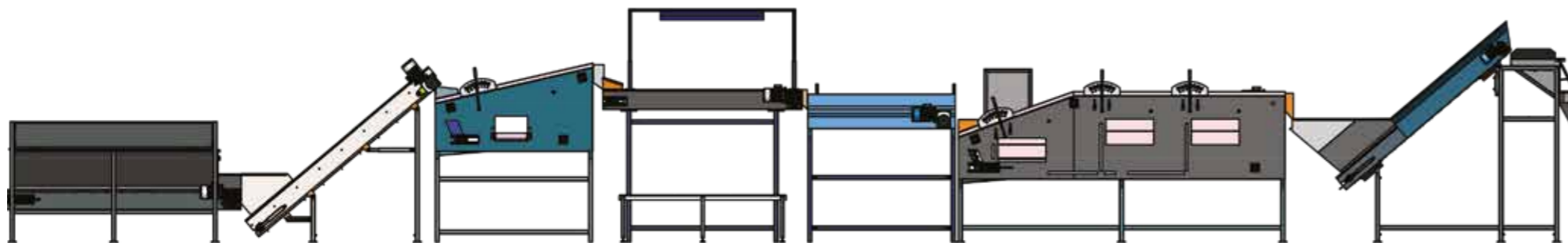
Brushing - Cleaning Unit



Electronic Weighing Machine NSC 10 - 30



Twin Head Big - Bag Cascade Filler ZZ 200



SILO BUNKER ROLLER ELEVATOR MECHANICAL PRESIZER ROLLER INSPECTION TABLE BRUSHING CLEANING UNIT ROLLER SIZER WEIGHING MACHINE

