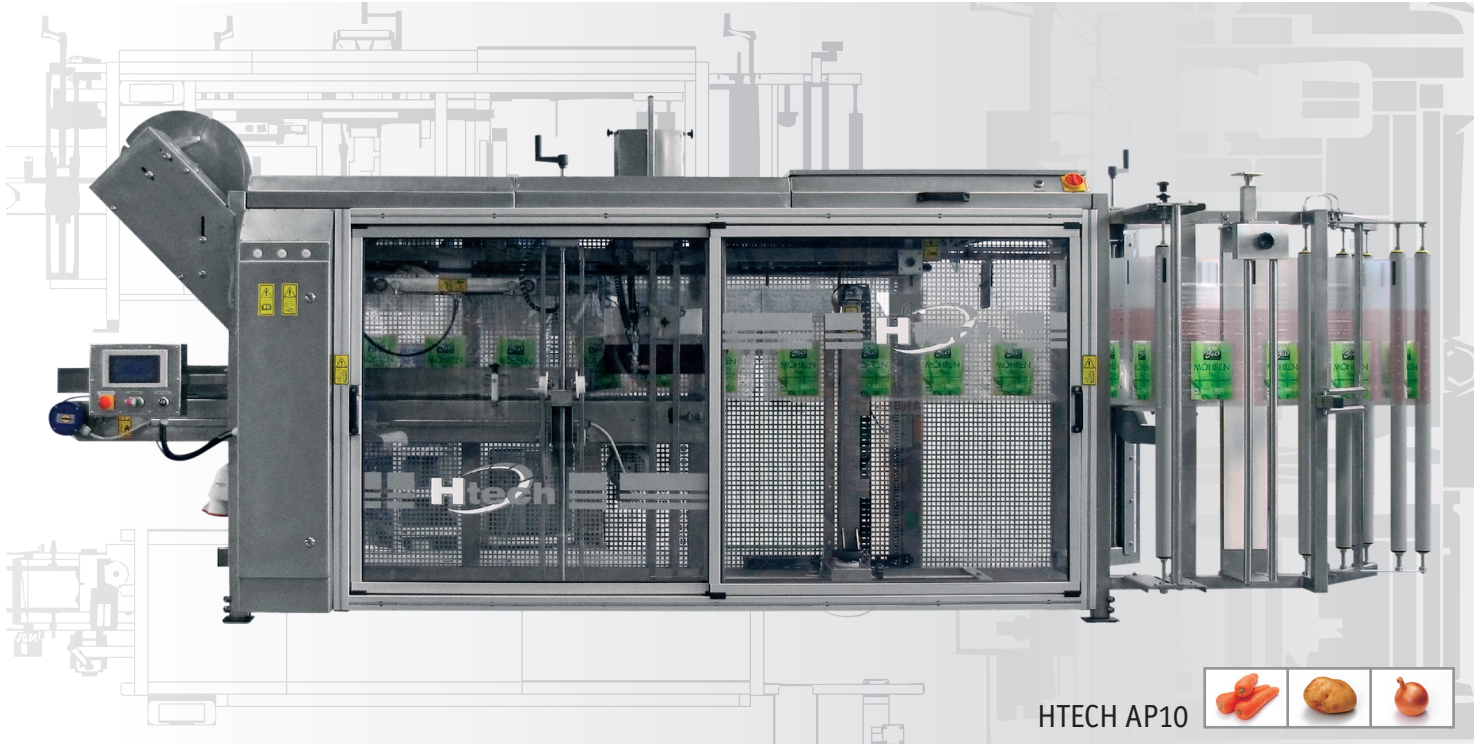


PACKING MACHINE AP 5/10



HTECH AP10



machine description ::

Packing machines of the AP type are designed for fast and reliable packing of potatoes, onions and other hard products into pre-made polyethylene bags on roll.

The machine frame is manufactured from stainless steel and therefore is very durable and easy for maintenance. The halftube film is driven into the machine with the separated side upwards. The whole following procedure of bag separation, filling and closing is fully automatic.

The bags are separated by a knife that cuts through the perforation. Bags can be plain or fully printed. The bags are stopped whenever the photocell meets the printed eye-mark and packing cycle is then launched after a programmed period of time that it takes to get the bag filled.

Filling of bags is checked by optoelectrosensor that stops the machine in case a jam occurs, saving material and product from involuntary wasting. The construction of the inner conveyor allows its height and slope position to be fluently adjusted by two handles.

All the machine's functions are controlled by a programmable terminal through a touch screen so maximum output can be quickly and easily achieved. Different programs can be saved for various products and loaded within a few seconds. AP machine is a powerful, fast and reliable tool for any production line.

final product sample ::



AP5 & AP10 - common technical data ::

package	AP5: 1-5 kg / AP10: 1-10 kg
control system	Omron programmable processor
interface	programmable terminals with touch screen
electric requirement	400 V+ N+ PE 50 Hz
air requirement	6-7 bar / 200 l per min
power consumption	1,8 kW
machine dimensions	see reverse
total net weight	480 kg

output capacity ::

1 kg portion	28-35 bags
10 kg portion	17-19 bags

optional add-ons ::

- hot stamp
- thermotransfer printer
- ink jet printer
- infeed funnel chute
- belt vibration utility
- external control box

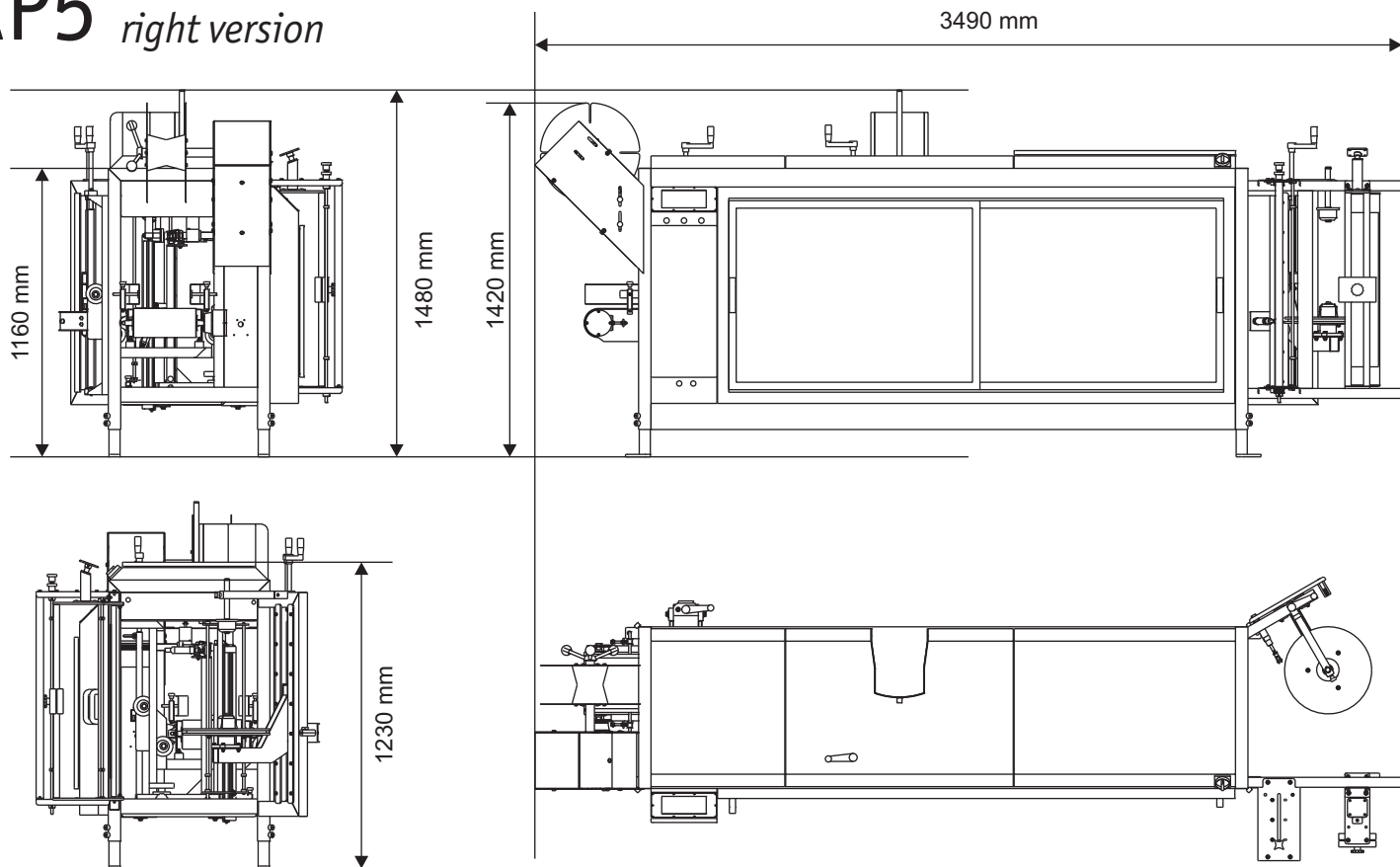
maximum bag width ::

AP5	400 mm
AP10	550 mm

maximum bag height ::

AP5	500 mm
AP10	750 mm

AP5 *right version*



AP10 *left version*

