

# NOVA\_DRUM 300 Barrel Washer

the  
reliable  
solution

NOVA\_DRUM 300 is a Barrel Washing Machine used for effective and gentle washing vegetables like potatoes and carrots. It is ideal for cleaning the product and removing soil and small stones.

## Technical Features:

- Durable, robust and low maintenance design
- Perforated rotating drum, apertures secure the gentle washing of your products
- Agitation bars/flights inside the drum for optimal cleaning result and products forwarding
- V-belt drive ensure quiet and smooth operation
- Water supply through a series of nozzles inside the drum
- Mechanically adjustable gate allows the operator to control the washing time and the product flow
- Water collecting tanks on the bottom of the drum with the necessary valves
- Variable speed drives on drum rotation
- Easy access side panels for greasing and maintenance
- Fully stainless steel construction (optional)
- Pintle rubber in the drum for higher agitation and better cleaning result (optional)
- Brush on the drum for higher agitation and move, effective cleaning of the product especially when the soil is heavy (optional)
- Recirculation system for water used in the drum and a set of filters to retain heavy soil and dirt



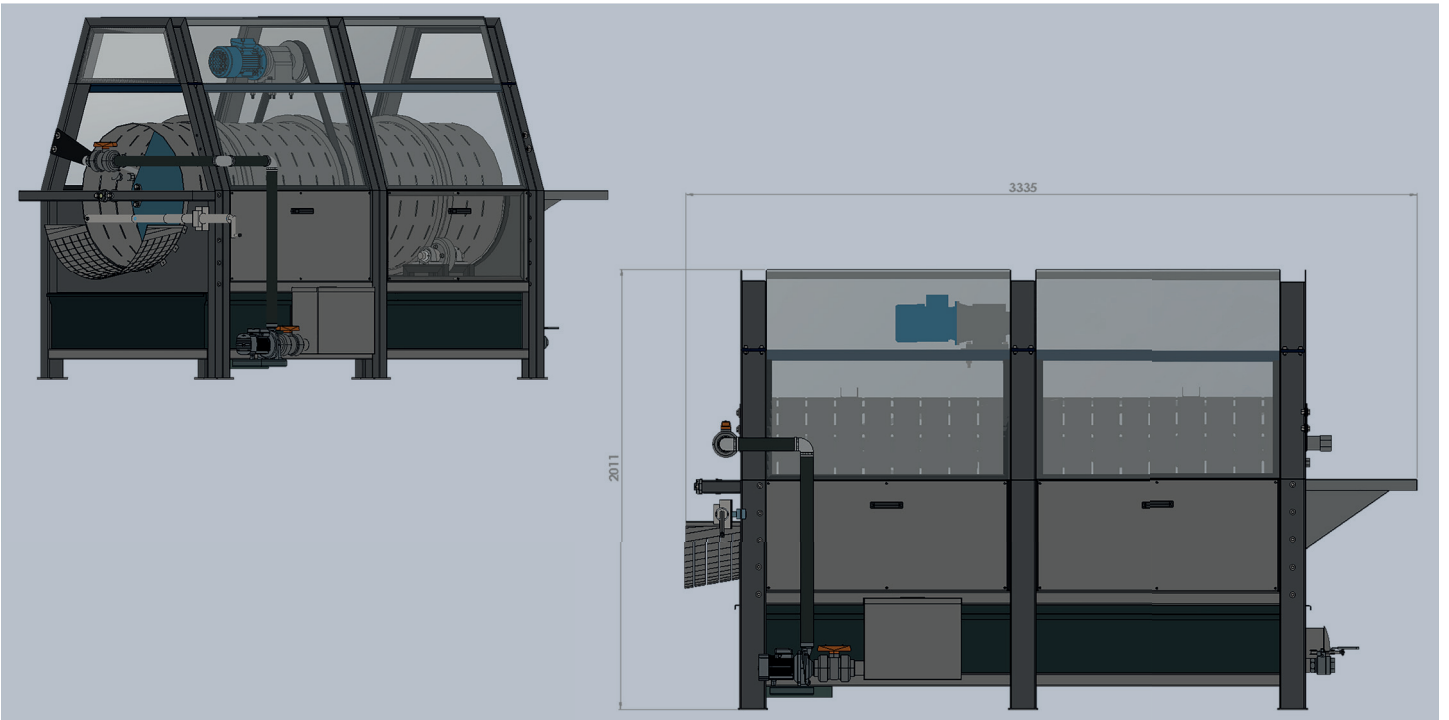
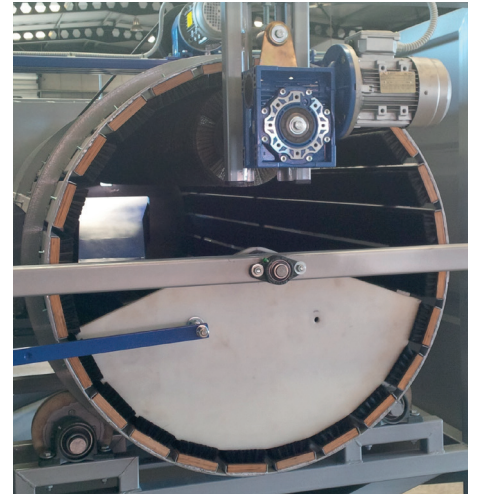
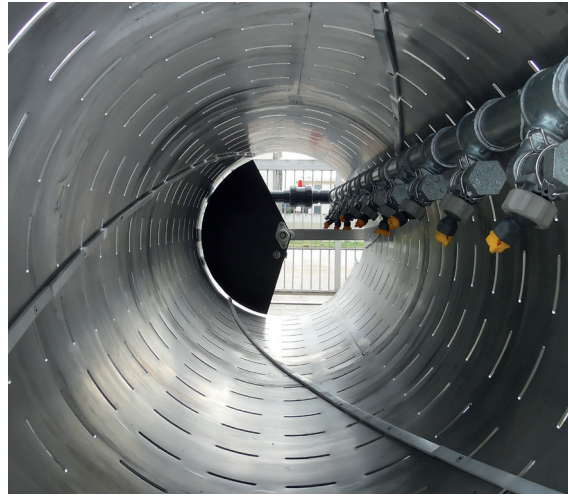
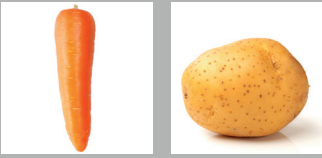
**Gentle Handling:**  
Low drops guarantees the best possible handling of your products.

**Versatility:**  
Suitable for various vegetables like potatoes and carrots.

**Economical:**  
Low purchasing cost and minimum maintenance cost.

**User friendly operation**





Model	Max Capacity	Barrel Length	Barrel Diameter
NOVA_DRUM 300	2-3 Ton/Hour	3.000 mm	800 mm
NOVA_DRUM 400	4-6 Ton/Hour*	4.000 mm	1.000 mm
NOVA_DRUM 500	7-10 Ton/Hour*	5.000 mm	1.000 mm

\*The higher value goes for potatoes (4, 6, 8 Ton/Hour)